

# WEEK 53 - LETTER Z

## Template Piecing

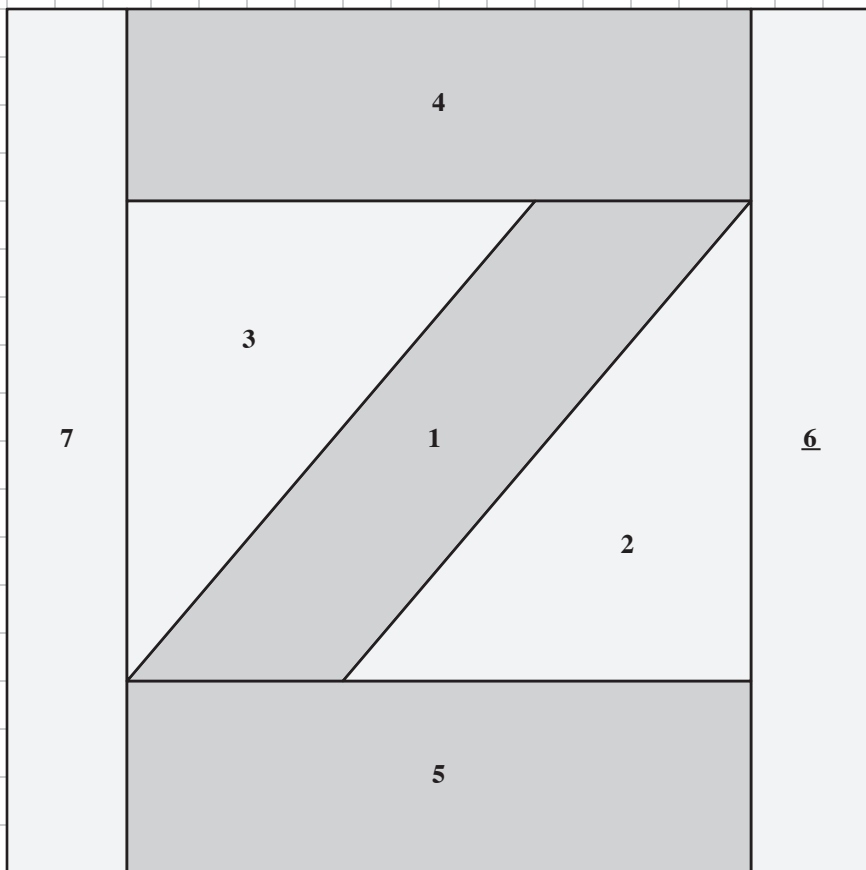


## CUTTING FABRIC PIECES

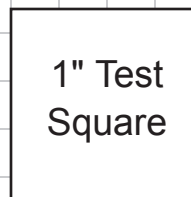
Refer to the Cutting List on Page 2 to cut the fabric pieces.

## PIECING THE BLOCK

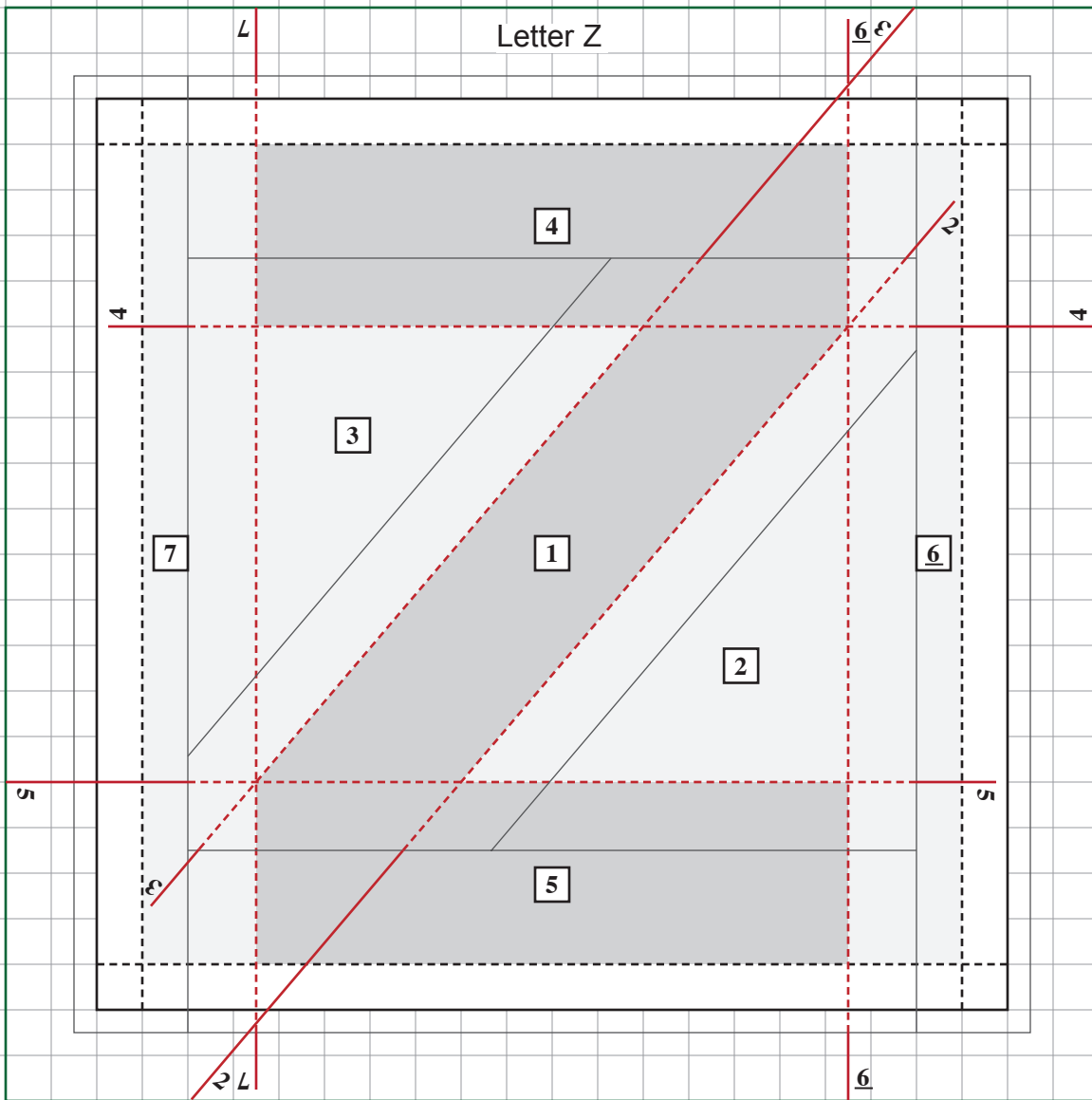
Refer to Week 1 General Instructions and Week 3 - Letter A to piece the block.



**LETTER Z**  
4½" Finished



Set Page Scaling = None.  
Background Grid Measures ¼".



1" Test Square

Set Page Scaling = None.  
Background Grid Measures 1/4".

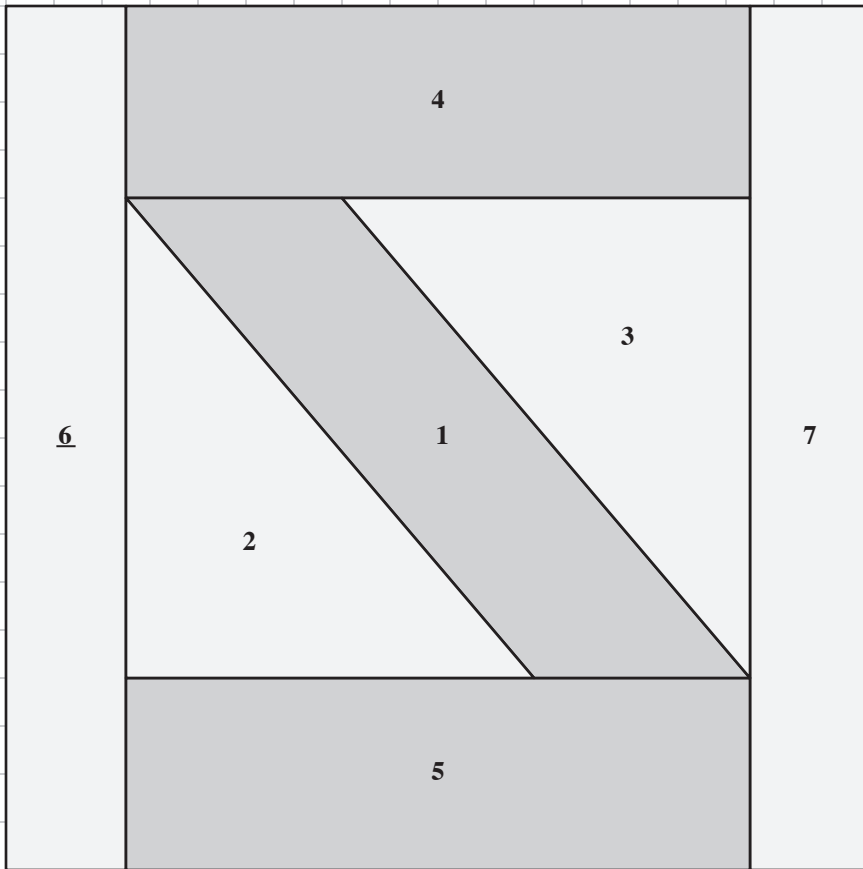
## LETTER Z

4 1/2" Finished

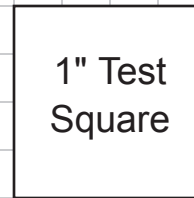
### CUTTING LIST

Location	Size to Cut
1	1 5/8" x 5 3/4"
2, 3	3 3/8" x 3 1/2"
4, 5	4" x 1 3/4"
6, 7	1 3/8" x 5 1/4"

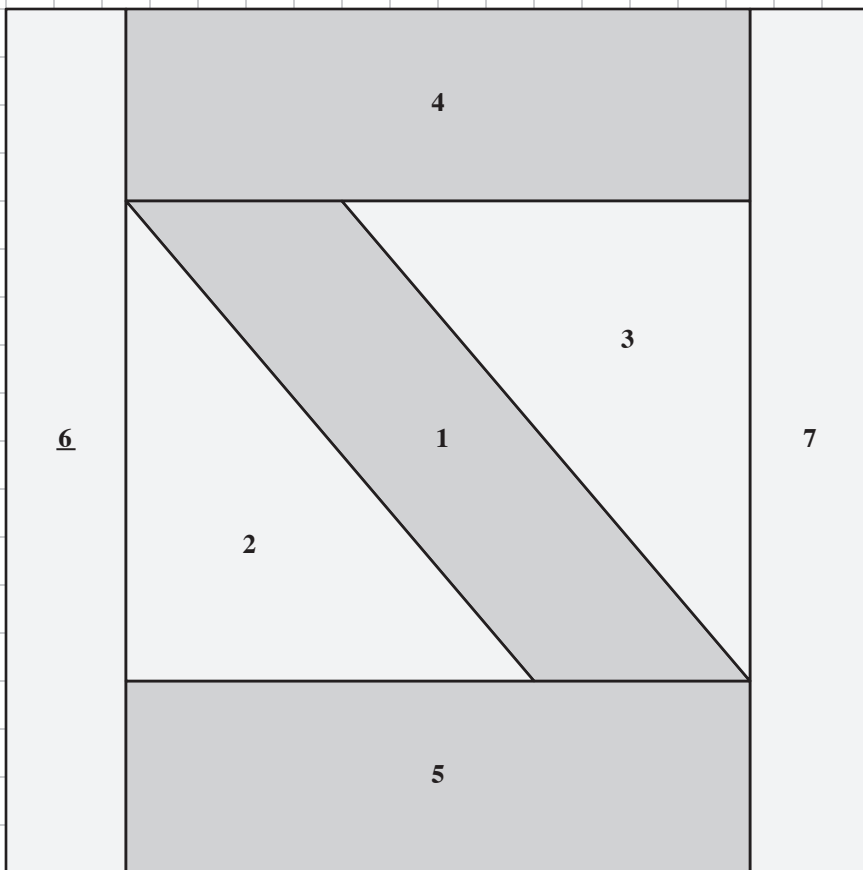
Trace Locations #1 and 2 on freezer paper to make templates.



**LETTER Z**  
4½" Finished  
Mirrored



Set Page Scaling = None.  
Background Grid Measures ¼".



Use these mirrored templates for  
other paper piecing methods.