

WEEK 51 - LETTER Y

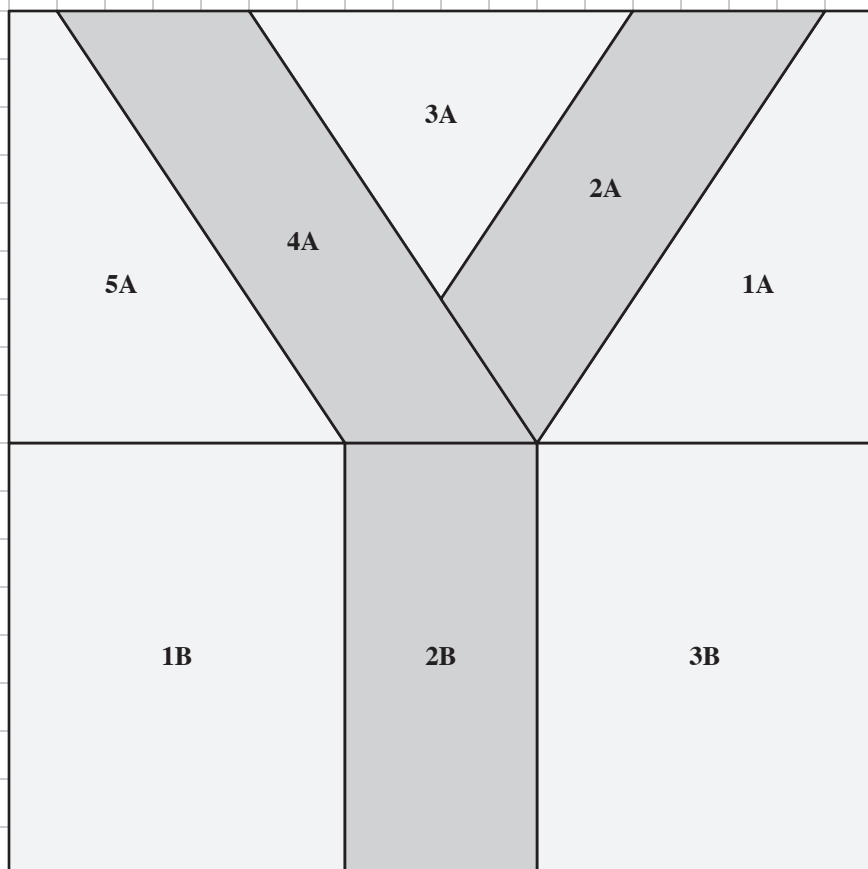


CUTTING FABRIC PIECES

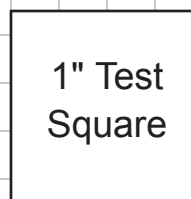
Refer to the Cutting List on Page 3 to cut the fabric pieces.

PIECING THE BLOCK

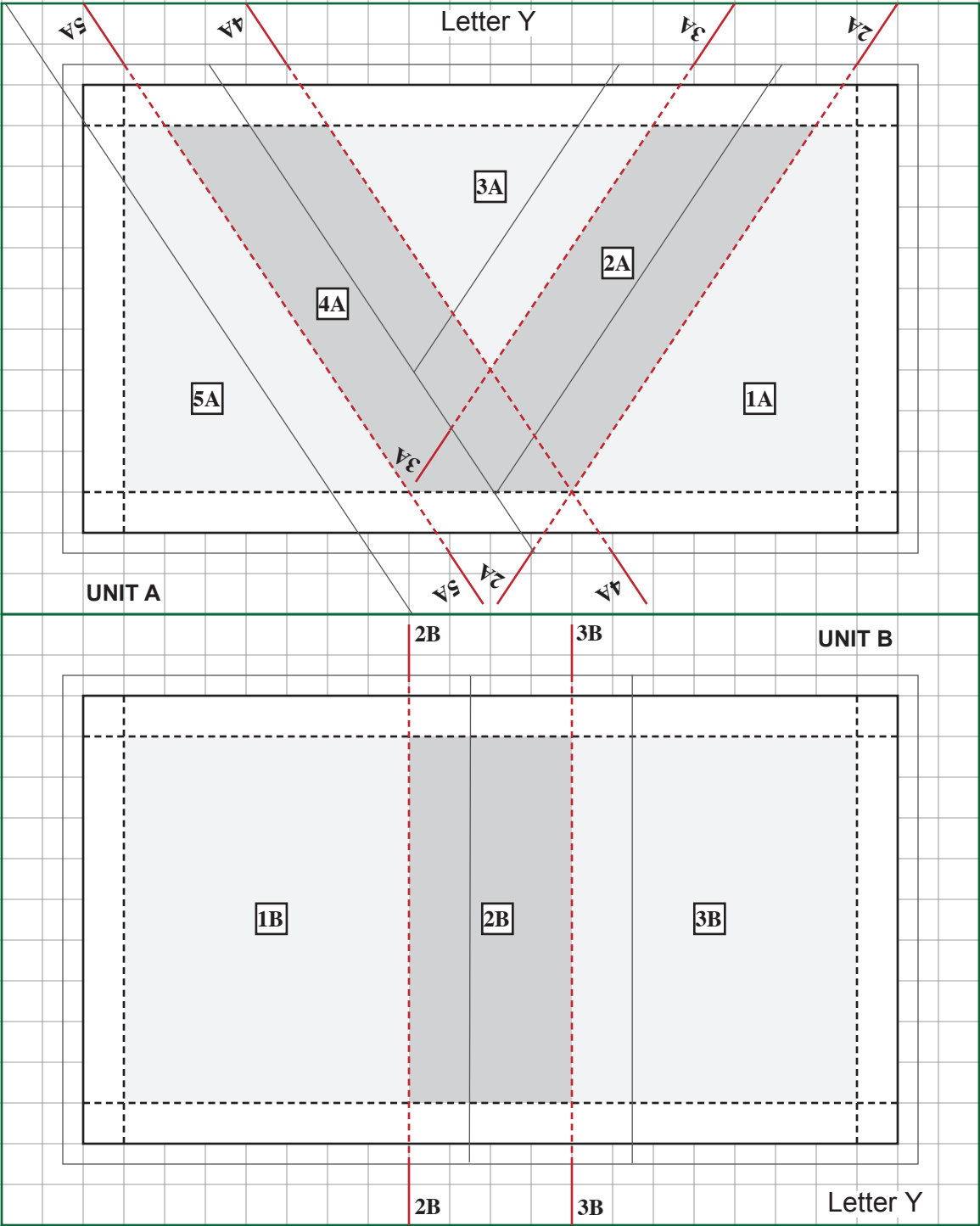
Refer to Week 1 General Instructions and Week 3 - Letter A to piece the block.



LETTER Y
4½" Finished



Set Page Scaling = None.
Background Grid Measures ¼".



1" Test Square

Set Page Scaling = None.
Background Grid Measures 1/4".

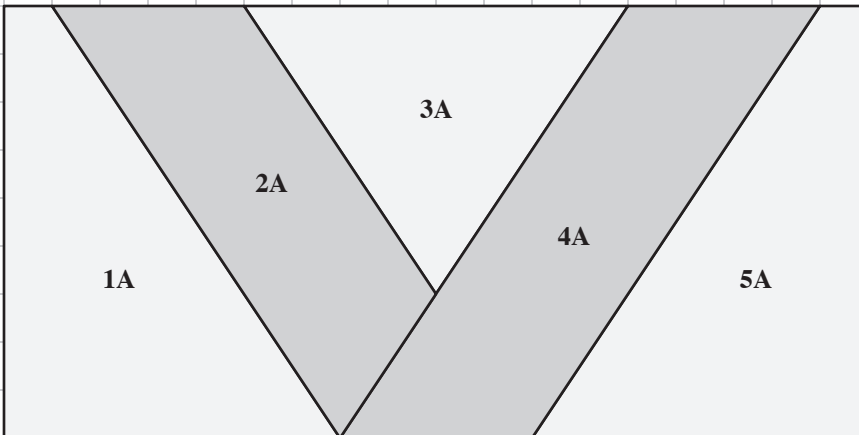
LETTER Y

4½" Finished

CUTTING LIST

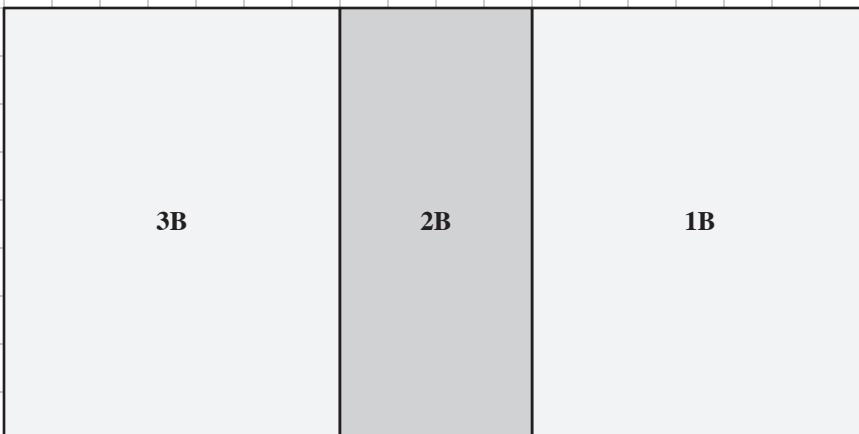
Location	Size to Cut
1A, 5A	2⅞" x 3"
2A	1⅝" x 4"
3A	3½" x 2⅝"
4A	1⅝" x 4¾"
1B, 3B	2½" x 3"
2B	1¾" x 3"

Trace Locations #1A thru 4A on freezer paper to make templates. Layer the fabrics for 1A and 5A right sides together to cut mirror images.



LETTER Y
4½" Finished
Mirrored

1" Test
Square



Set Page Scaling = None.
Background Grid Measures ¼".

Use this mirrored template for
other paper piecing methods.